

## Product Range

# Pressure Control Valves Type 582 / 586





# Table of contents

	Page
PVC-U metric	4
PVC-U Inch BS	9
PVC-U ASTM/ANSI	12
PVC-U JIS	15
PVC-C metric	18
PVC-C ASTM/ANSI/BS	23
PROGEF Standard metric	26
SYGEF Standard metric/ASTM/ANSI	32
SYGEF Plus metric/ASTM/ANSI	38

# PVC-U metric

## Type 582

### Pressure reducing valve type 582 PVC-U With solvent cement spigots metric Without manometer

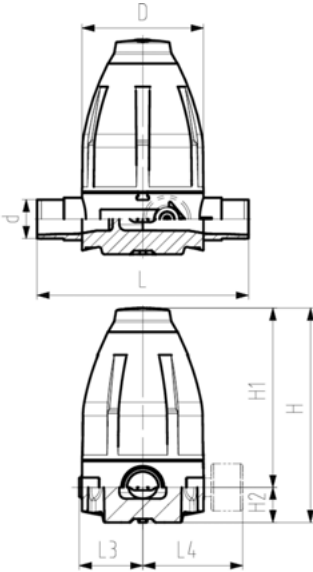


#### Model:

- Diaphragm PTFE / EPDM
- Integrated stainless steel mounting inserts
- 0.5-9.0 bar (7-130 psi)

0.3-3.0 bar (4-44 psi) on request

Manometer on request



d [mm]	DN [mm]	PN [bar]	O-rings EPDM code	O-rings FPM code
16	10	10	161 582 001	161 582 011
20	15	10	161 582 002	161 582 012
25	20	10	161 582 003	161 582 013
32	25	10	161 582 004	161 582 014
40	32	10	161 582 005	161 582 015
50	40	10	161 582 006	161 582 016
63	50	10	161 582 007	161 582 017

d [mm]	D [mm]	H [mm]	H1 [mm]	H2 [mm]	H3 [mm]	L [mm]	L3 [mm]	L5 [mm]	M	closest inch [inch]
16	79	132	111	21	12	134	42	40	M6	3/8
20	79	132	111	21	12	134	42	40	M6	1/2
25	100	177	148	29	14	174	53	46	M6	3/4
32	100	177	148	29	14	174	53	46	M6	1
40	147	251	207	44	21	224	76	65	M8	1 1/4
50	147	251	207	44	21	224	76	65	M8	1 1/2
63	147	251	207	44	21	244	76	65	M8	2

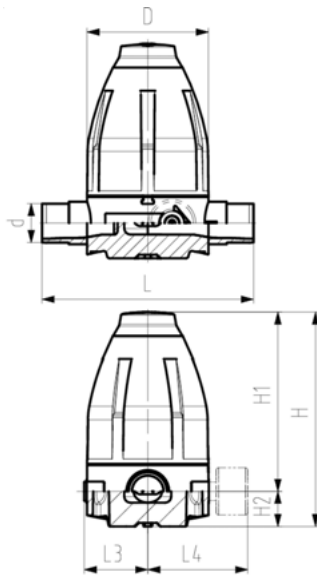


## Pressure reducing valve type 582 PVC-U With solvent cement spigots metric With manometer

### Model:

- Diaphragm PTFE / EPDM
- Integrated stainless steel mounting inserts
- 0.5-9.0 bar (7-130 psi)

0.3-3.0 bar (4-44 psi) on request



d [mm]	DN [mm]	PN [bar]	O-rings EPDM code	O-rings FPM code
16	10	10	161 582 021	161 582 031
20	15	10	161 582 022	161 582 032
25	20	10	161 582 023	161 582 033
32	25	10	161 582 024	161 582 034
40	32	10	161 582 025	161 582 035
50	40	10	161 582 026	161 582 036
63	50	10	161 582 027	161 582 037

d [mm]	D [mm]	H [mm]	H1 [mm]	H2 [mm]	H3 [mm]	L [mm]	L3 [mm]	L4 [mm]	L5 [mm]	M	closest inch [inch]
16	79	132	111	21	12	134	42	77	40	M6	3/8
20	79	132	111	21	12	134	42	77	40	M6	1/2
25	100	177	148	29	14	174	53	88	46	M6	3/4
32	100	177	148	29	14	174	53	88	46	M6	1
40	147	251	207	44	21	224	76	111	65	M8	1 1/4
50	147	251	207	44	21	224	76	111	65	M8	1 1/2
63	147	251	207	44	21	244	76	111	65	M8	2



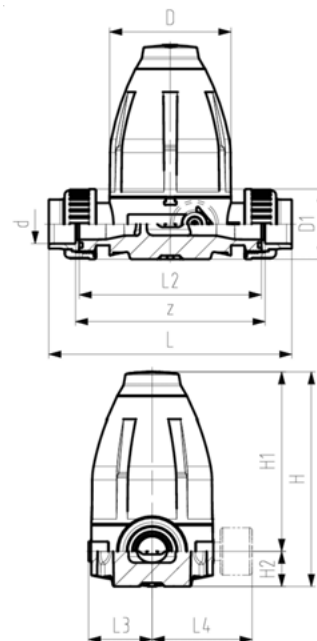
## Pressure reducing valve type 582 PVC-U Unions with solvent cement sockets metric Without manometer

### Model:

- Diaphragm PTFE / EPDM
- Integrated stainless steel mounting inserts
- 0.5-9.0 bar (7-130 psi)

0.3-3.0 bar (4-44 psi) on request

Manometer on request



d [mm]	DN [mm]	PN [bar]	O-rings EPDM code	O-rings FPM code
16	10	10	161 582 101	161 582 111
20	15	10	161 582 102	161 582 112
25	20	10	161 582 103	161 582 113
32	25	10	161 582 104	161 582 114
40	32	10	161 582 105	161 582 115
50	40	10	161 582 106	161 582 116
63	50	10	161 582 107	161 582 117

d [mm]	D [mm]	D1 [mm]	H [mm]	H1 [mm]	H2 [mm]	H3 [mm]	L [mm]	L2 [mm]	L3 [mm]	L5 [mm]	M	z [mm]	closest inch [inch]
16	79	35	132	111	21	12	180	120	42	40	M6	172	3/8
20	79	43	132	111	21	12	158	120	42	40	M6	126	1/2
25	100	51	177	148	29	14	194	150	53	46	M6	156	3/4
32	100	58	177	148	29	14	200	150	53	46	M6	156	1
40	147	72	251	207	44	21	263	205	76	65	M8	211	1 1/4
50	147	83	251	207	44	21	273	205	76	65	M8	211	1 1/2
63	147	101	251	207	44	21	287	205	76	65	M8	211	2

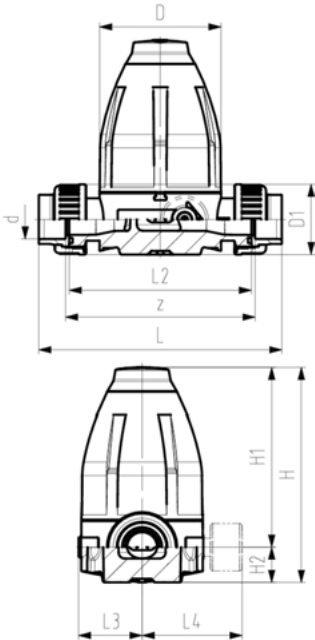


## Pressure reducing valve type 582 PVC-U Unions with solvent cement sockets metric With manometer

### Model:

- Diaphragm PTFE / EPDM
- Integrated stainless steel mounting inserts
- 0.5-9.0 bar (7-130 psi)

0.3-3.0 bar (4-44 psi) on request



d [mm]	DN [mm]	PN [bar]	O-rings EPDM code	O-rings FPM code
16	10	10	161 582 121	161 582 131
20	15	10	161 582 122	161 582 132
25	20	10	161 582 123	161 582 133
32	25	10	161 582 124	161 582 134
40	32	10	161 582 125	161 582 135
50	40	10	161 582 126	161 582 136
63	50	10	161 582 127	161 582 137

d [mm]	D [mm]	D1 [mm]	H [mm]	H1 [mm]	H2 [mm]	H3 [mm]	L [mm]	L2 [mm]	L3 [mm]	L4 [mm]	L5 [mm]	M	z [mm]
16	79	35	132	111	21	12	180	120	42	77	40	M6	172
20	79	43	132	111	21	12	158	120	42	77	40	M6	126
25	100	51	177	148	29	14	194	150	53	88	46	M6	156
32	100	58	177	148	29	14	200	150	53	88	46	M6	156
40	147	72	251	207	44	21	263	205	76	111	65	M8	211
50	147	83	251	207	44	21	273	205	76	111	65	M8	211
63	147	101	251	207	44	21	287	205	76	111	65	M8	211

d [mm]	closest inch [inch]
16	3/8
20	1/2
25	3/4
32	1
40	1 1/4
50	1 1/2
63	2

# Type 586

## Pressure retaining valve type 586 PVC-U With solvent cement spigots metric Without manometer

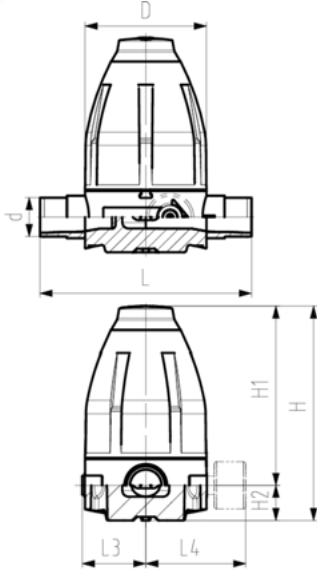


### Model:

- Diaphragm PTFE / EPDM
- Integrated stainless steel mounting inserts
- 0.5-9.0 bar (7-130 psi)

0.3-3.0 bar (4-44 psi) on request

Manometer on request



d [mm]	DN [mm]	PN [bar]	O-rings EPDM code	O-rings FPM code
16	10	10	161 586 001	161 586 011
20	15	10	161 586 002	161 586 012
25	20	10	161 586 003	161 586 013
32	25	10	161 586 004	161 586 014
40	32	10	161 586 005	161 586 015
50	40	10	161 586 006	161 586 016
63	50	10	161 586 007	161 586 017

d [mm]	D [mm]	H [mm]	H1 [mm]	H2 [mm]	H3 [mm]	L [mm]	L3 [mm]	L5 [mm]	M	closest inch [inch]
16	79	132	111	21	12	134	42	40	M6	3/8
20	79	132	111	21	12	134	42	40	M6	1/2
25	100	177	148	29	14	174	53	46	M6	3/4
32	100	177	148	29	14	174	53	46	M6	1
40	147	251	207	44	21	224	76	65	M8	1 1/4
50	147	251	207	44	21	224	76	65	M8	1 1/2
63	147	251	207	44	21	244	76	65	M8	2



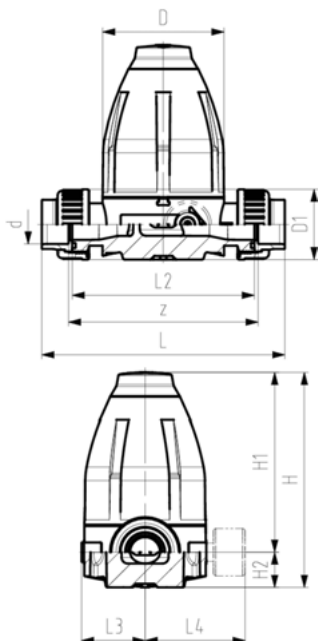
## Pressure retaining valve type 586 PVC-U Unions with solvent cement sockets metric Without manometer

### Model:

- Diaphragm PTFE / EPDM
- Integrated stainless steel mounting inserts
- 0.5-9.0 bar (7-130 psi)

0.3-3.0 bar (4-44 psi) on request

Manometer on request



d [mm]	DN [mm]	PN [bar]	O-rings EPDM code	O-rings FPM code
16	10	10	<b>161 586 101</b>	<b>161 586 111</b>
20	15	10	<b>161 586 102</b>	<b>161 586 112</b>
25	20	10	<b>161 586 103</b>	<b>161 586 113</b>
32	25	10	<b>161 586 104</b>	<b>161 586 114</b>
40	32	10	<b>161 586 105</b>	<b>161 586 115</b>
50	40	10	<b>161 586 106</b>	<b>161 586 116</b>
63	50	10	<b>161 586 107</b>	<b>161 586 117</b>

d [mm]	D [mm]	D1 [mm]	H [mm]	H1 [mm]	H2 [mm]	H3 [mm]	L [mm]	L2 [mm]	L3 [mm]	L5 [mm]	M	z [mm]	closest inch [inch]
16	79	35	132	111	21	12	154	120	42	40	M6	172	3/8
20	79	43	132	111	21	12	158	120	42	40	M6	126	1/2
25	100	51	177	148	29	14	194	150	53	46	M6	156	3/4
32	100	58	177	148	29	14	200	150	53	46	M6	156	1
40	147	72	251	207	44	21	263	205	76	65	M8	211	1 1/4
50	147	83	251	207	44	21	273	205	76	65	M8	211	1 1/2
63	147	101	251	207	44	21	287	205	76	65	M8	211	2



# PVC-U Inch BS

## Type 582

### Pressure reducing valve type 582 PVC-U Unions with solvent cement sockets Inch BS Without manometer

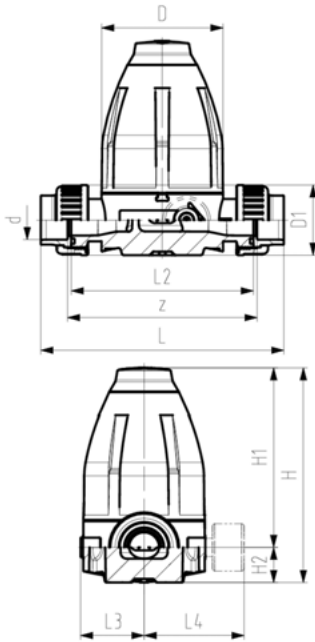


**Model:**

- Diaphragm PTFE / EPDM
- Integrated stainless steel mounting inserts
- 0.5-9.0 bar (7-130 psi)

0.3-3.0 bar (4-44 psi) on request

Manometer on request



Inch [inch]	DN [mm]	PN [bar]	O-rings EPDM code	O-rings FPM code
1/2	15	10	161 582 302	161 582 312
3/4	20	10	161 582 303	161 582 313
1	25	10	161 582 304	161 582 314
1 1/4	32	10	161 582 305	161 582 315
1 1/2	40	10	161 582 306	161 582 316
2	50	10	161 582 307	161 582 317

Inch [inch]	D [mm]	D1 [mm]	H [mm]	H1 [mm]	H2 [mm]	H3 [mm]	L [mm]	L2 [mm]	L3 [mm]	L5 [mm]	M	z [mm]
1/2	79	43	132	111	21	12	161	120	42	40	M6	126
3/4	100	51	177	148	29	14	198	150	53	46	M6	156
1	100	58	177	148	29	14	204	150	53	46	M6	156
1 1/4	147	72	251	207	44	21	266	205	76	65	M8	211
1 1/2	147	83	251	207	44	21	273	205	76	65	M8	211
2	147	101	251	207	44	21	285	205	76	65	M8	211

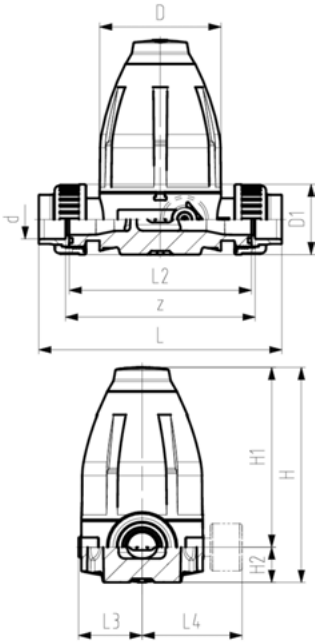


## Pressure reducing valve type 582 PVC-U Unions with solvent cement sockets Inch BS With manometer

### Model:

- Diaphragm PTFE / EPDM
- Integrated stainless steel mounting inserts
- 0.5-9.0 bar (7-130 psi)

0.3-3.0 bar (4-44 psi) on request



Inch [inch]	DN [mm]	PN [bar]	O-rings EPDM code	O-rings FPM code
1/2	15	10	161 582 322	161 582 332
3/4	20	10	161 582 323	161 582 333
1	25	10	161 582 324	161 582 334
1 1/4	32	10	161 582 325	161 582 335
1 1/2	40	10	161 582 326	161 582 336
2	50	10	161 582 327	161 582 337

Inch [inch]	D [mm]	D1 [mm]	H [mm]	H1 [mm]	H2 [mm]	H3 [mm]	L [mm]	L2 [mm]	L3 [mm]	L4 [mm]	L5 [mm]	M	z [mm]
1/2	79	43	132	111	21	12	161	120	42	77	40	M6	126
3/4	100	51	177	148	29	14	198	150	53	88	46	M6	156
1	100	58	177	148	29	14	204	150	53	88	46	M6	156
1 1/4	147	72	251	207	44	21	266	205	76	111	65	M8	211
1 1/2	147	83	251	207	44	21	273	205	76	111	65	M8	211
2	147	101	251	207	44	21	285	205	76	111	65	M8	211

# Type 586

## Pressure retaining valve type 586 PVC-U Unions with solvent cement sockets Inch BS Without manometer

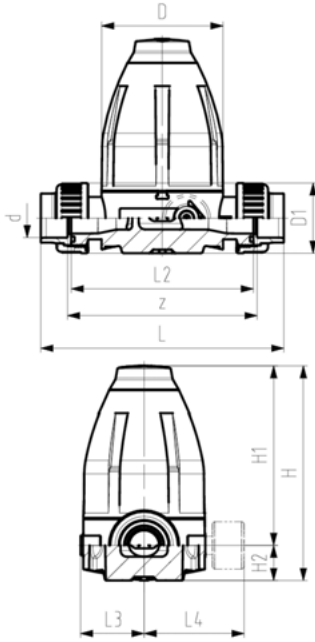


### Model:

- Diaphragm PTFE / EPDM
- Integrated stainless steel mounting inserts
- 0.5-9.0 bar (7-130 psi)

0.3-3.0 bar (4-44 psi) on request

Manometer on request



Inch [inch]	DN [mm]	PN [bar]	O-rings EPDM code	O-rings FPM code
1/2	15	10	161 586 302	161 586 312
3/4	20	10	161 586 303	161 586 313
1	25	10	161 586 304	161 586 314
1 1/4	32	10	161 586 305	161 586 315
1 1/2	40	10	161 586 306	161 586 316
2	50	10	161 586 307	161 586 317

Inch [inch]	D [mm]	D1 [mm]	H [mm]	H1 [mm]	H2 [mm]	H3 [mm]	L [mm]	L2 [mm]	L3 [mm]	L5 [mm]	M	z [mm]
1/2	79	43	132	111	21	12	161	120	42	40	M6	126
3/4	100	51	177	148	29	14	198	150	53	46	M6	156
1	100	58	177	148	29	14	204	150	53	46	M6	156
1 1/4	147	72	251	207	44	21	266	205	76	65	M8	211
1 1/2	147	83	251	207	44	21	273	205	76	65	M8	211
2	147	101	251	207	44	21	285	205	76	65	M8	211

# PVC-U ASTM/ANSI

## Type 582

### Pressure reducing valve type 582 PVC-U Unions with solvent cement sockets ASTM Without manometer

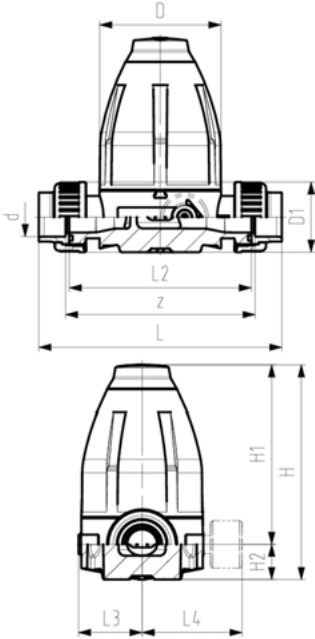


**Model:**

- Diaphragm PTFE / EPDM
- Integrated stainless steel mounting inserts
- 0.5-9.0 bar (7-130 psi)

0.3-3.0 bar (4-44 psi) on request

Manometer on request



Inch [inch]	DN [mm]	PN [bar]	O-rings EPDM code	O-rings FPM code
1/2	15	10	161 582 202	161 582 212
3/4	20	10	161 582 203	161 582 213
1	25	10	161 582 204	161 582 214
1 1/4	32	10	161 582 205	161 582 215
1 1/2	40	10	161 582 206	161 582 216
2	50	10	161 582 207	161 582 217

Inch [inch]	D [mm]	D1 [mm]	H [mm]	H1 [mm]	H2 [mm]	H3 [mm]	L [mm]	L2 [mm]	L3 [mm]	L5 [mm]	M	z [mm]
1/2	79	43	132	111	21	12	171	120	42	40	M6	126
3/4	100	51	177	148	29	14	207	150	53	46	M6	156
1	100	58	177	148	29	14	214	150	53	46	M6	156
1 1/4	147	72	251	207	44	21	275	205	76	65	M8	211
1 1/2	147	83	251	207	44	21	281	205	76	65	M8	211
2	147	101	251	207	44	21	288	205	76	65	M8	211

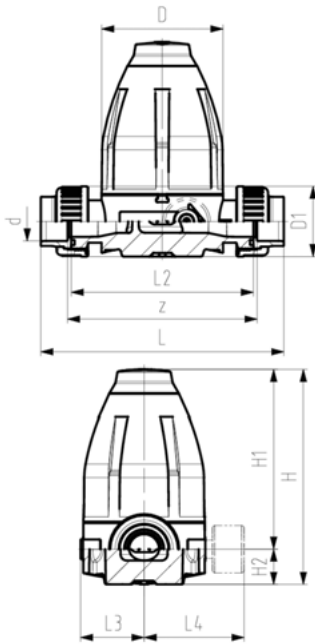


## Pressure reducing valve type 582 PVC-U Unions with solvent cement sockets ASTM With manometer

### Model:

- Diaphragm PTFE / EPDM
- Integrated stainless steel mounting inserts
- 0.5-9.0 bar (7-130 psi)

0.3-3.0 bar (4-44 psi) on request



Inch [inch]	DN [mm]	PN [bar]	O-rings EPDM code	O-rings FPM code									
1/2	15	10	161 582 222	161 582 232									
3/4	20	10	161 582 223	161 582 233									
1	25	10	161 582 224	161 582 234									
1 1/4	32	10	161 582 225	161 582 235									
1 1/2	40	10	161 582 226	161 582 236									
2	50	10	161 582 227	161 582 237									

Inch [inch]	D [mm]	D1 [mm]	H [mm]	H1 [mm]	H2 [mm]	H3 [mm]	L [mm]	L2 [mm]	L3 [mm]	L4 [mm]	L5 [mm]	M	z [mm]
1/2	79	43	132	111	21	12	171	120	42	77	40	M6	126
3/4	100	51	177	148	29	14	207	150	53	88	46	M6	156
1	100	58	177	148	29	14	214	150	53	88	46	M6	156
1 1/4	147	72	251	207	44	21	275	205	76	111	65	M8	211
1 1/2	147	83	251	207	44	21	281	205	76	111	65	M8	211
2	147	101	251	207	44	21	288	205	76	111	65	M8	211

# Type 586

## Pressure retaining valve type 586 PVC-U Unions with solvent cement sockets ASTM Without manometer

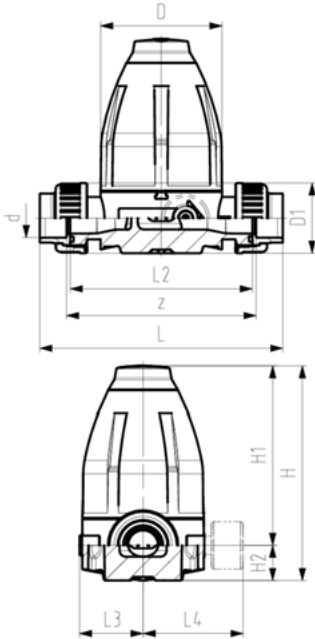


### Model:

- Diaphragm PTFE / EPDM
- Integrated stainless steel mounting inserts
- 0.5-9.0 bar (7-130 psi)

0.3-3.0 bar (4-44 psi) on request

Manometer on request



Inch [inch]	DN [mm]	PN [bar]	O-rings EPDM code	O-rings FPM code
1/2	15	10	<b>161 586 202</b>	<b>161 586 212</b>
3/4	20	10	<b>161 586 203</b>	<b>161 586 213</b>
1	25	10	<b>161 586 204</b>	<b>161 586 214</b>
1 1/4	32	10	<b>161 586 205</b>	<b>161 586 215</b>
1 1/2	40	10	<b>161 586 206</b>	<b>161 586 216</b>
2	50	10	<b>161 586 207</b>	<b>161 586 217</b>

Inch [inch]	D [mm]	D1 [mm]	H [mm]	H1 [mm]	H2 [mm]	H3 [mm]	L [mm]	L2 [mm]	L3 [mm]	L5 [mm]	M	z [mm]
1/2	79	43	132	111	21	12	171	120	42	40	M6	126
3/4	100	51	177	148	29	14	207	150	53	46	M6	156
1	100	58	177	148	29	14	214	150	53	46	M6	156
1 1/4	147	72	251	207	44	21	275	205	76	65	M8	211
1 1/2	147	83	251	207	44	21	281	205	76	65	M8	211
2	147	101	251	207	44	21	288	205	76	65	M8	211

# PVC-U JIS

## Type 582

### Pressure reducing valve type 582 PVC-U Unions with solvent cement sockets JIS Without manometer

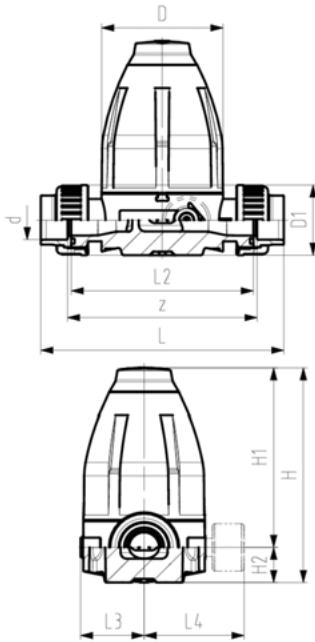


**Model:**

- Diaphragm PTFE / EPDM
- Integrated stainless steel mounting inserts
- 0.5-9.0 bar (7-130 psi)

0.3-3.0 bar (4-44 psi) on request

Manometer on request



Inch [inch]	DN [mm]	PN [bar]	O-rings EPDM code	O-rings FPM code									
1/2	15	10	161 582 402	161 582 412									
3/4	20	10	161 582 403	161 582 413									
1	25	10	161 582 404	161 582 414									
1 1/4	32	10	161 582 405	161 582 415									
1 1/2	40	10	161 582 406	161 582 416									
2	50	10	161 582 407	161 582 417									

Inch [inch]	D [mm]	D1 [mm]	H [mm]	H1 [mm]	H2 [mm]	H3 [mm]	L [mm]	L2 [mm]	L3 [mm]	L5 [mm]	M	z [mm]
1/2	100	51	177	148	29	14	194	150	53	46	M6	156
3/4	100	51	177	148	29	14	194	150	53	46	M6	156
1	100	58	177	148	29	14	200	150	53	46	M6	156
1 1/4	147	72	251	207	44	21	263	205	76	65	M8	211
1 1/2	147	83	251	207	44	21	273	205	76	65	M8	211
2	147	101	251	207	44	21	287	205	76	65	M8	211

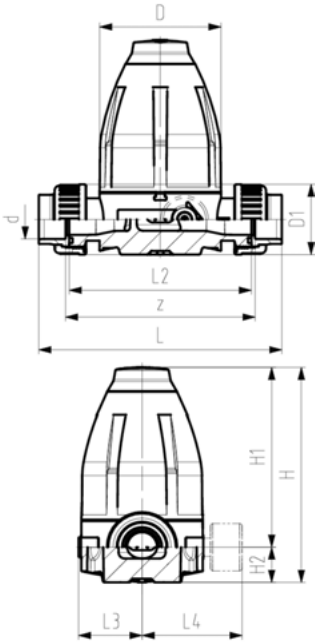


## Pressure reducing valve type 582 PVC-U Unions with solvent cement sockets JIS With manometer

### Model:

- Diaphragm PTFE / EPDM
- Integrated stainless steel mounting inserts
- 0.5-9.0 bar (7-130 psi)

0.3-3.0 bar (4-44 psi) on request



Inch [inch]	DN [mm]	PN [bar]	O-rings EPDM code	O-rings FPM code
1/2	15	10	161 582 422	161 582 432
3/4	20	10	161 582 423	161 582 433
1	25	10	161 582 424	161 582 434
1 1/4	32	10	161 582 425	161 582 435
1 1/2	40	10	161 582 426	161 582 436
2	50	10	161 582 427	161 582 437

Inch [inch]	D [mm]	D1 [mm]	H [mm]	H1 [mm]	H2 [mm]	H3 [mm]	L [mm]	L2 [mm]	L3 [mm]	L4 [mm]	L5 [mm]	M	z [mm]
1/2	100	51	177	148	29	14	194	150	53	88	46	M6	156
3/4	100	51	177	148	29	14	194	150	53	88	46	M6	156
1	100	58	177	148	29	14	200	150	53	88	46	M6	156
1 1/4	147	72	251	207	44	21	263	205	76	111	65	M8	211
1 1/2	147	83	251	207	44	21	273	205	76	111	65	M8	211
2	147	101	251	207	44	21	287	205	76	111	65	M8	211



# Type 586

## Pressure retaining valve type 586 PVC-U Unions with solvent cement sockets JIS Without manometer

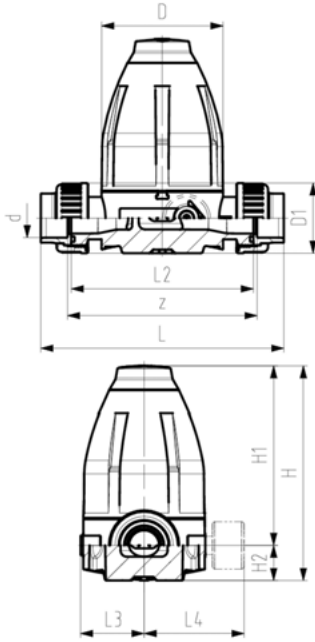


### Model:

- Diaphragm PTFE / EPDM
- Integrated stainless steel mounting inserts
- 0.5-9.0 bar (7-130 psi)

0.3-3.0 bar (4-44 psi) on request

Manometer on request



Inch [inch]	DN [mm]	PN [bar]	O-rings EPDM code	O-rings FPM code
1/2	15	10	<b>161 586 402</b>	<b>161 586 412</b>
3/4	20	10	<b>161 586 403</b>	<b>161 586 413</b>
1	25	10	<b>161 586 404</b>	<b>161 586 414</b>
1 1/4	32	10	<b>161 586 405</b>	<b>161 586 415</b>
1 1/2	40	10	<b>161 586 406</b>	<b>161 586 416</b>
2	50	10	<b>161 586 407</b>	<b>161 586 417</b>

Inch [inch]	D [mm]	D1 [mm]	H [mm]	H1 [mm]	H2 [mm]	H3 [mm]	L [mm]	L2 [mm]	L3 [mm]	L5 [mm]	M	z [mm]
1/2	100	51	177	148	29	14	194	150	53	46	M6	156
3/4	100	51	177	148	29	14	194	150	53	46	M6	156
1	100	58	177	148	29	14	200	150	53	46	M6	156
1 1/4	147	72	251	207	44	21	263	205	76	65	M8	211
1 1/2	147	83	251	207	44	21	273	205	76	65	M8	211
2	147	101	251	207	44	21	287	205	76	65	M8	211

# PVC-C metric

## Type 582

### Pressure reducing valve type 582 PVC-C With solvent cement spigots metric Without manometer

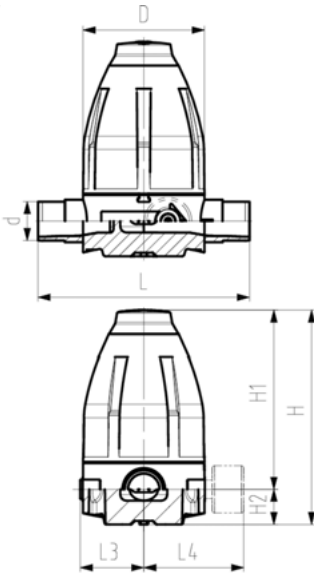


**Model:**

- Diaphragm PTFE / EPDM
- Integrated stainless steel mounting inserts
- 0.5-9.0 bar (7-130 psi)

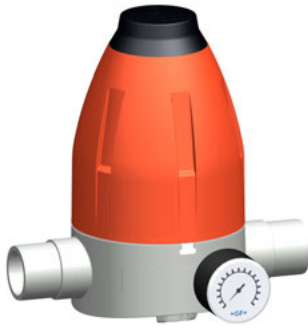
0.3-3.0 bar (4-44 psi) on request

Manometer on request



d [mm]	DN [mm]	PN [bar]	O-rings EPDM code	O-rings FPM code
16	10	10	163 582 001	163 582 011
20	15	10	163 582 002	163 582 012
25	20	10	163 582 003	163 582 013
32	25	10	163 582 004	163 582 014
40	32	10	163 582 005	163 582 015
50	40	10	163 582 006	163 582 016
63	50	10	163 582 007	163 582 017

d [mm]	D [mm]	H [mm]	H1 [mm]	H2 [mm]	H3 [mm]	L [mm]	L3 [mm]	L5 [mm]	M	closest inch [inch]
16	79	132	111	21	12	134	42	40	M6	3/8
20	79	132	111	21	12	134	42	40	M6	1/2
25	100	177	148	29	14	174	53	46	M6	3/4
32	100	177	148	29	14	174	53	46	M6	1
40	147	251	207	44	21	224	76	65	M8	1 1/4
50	147	251	207	44	21	224	76	65	M8	1 1/2
63	147	251	207	44	21	244	76	65	M8	2

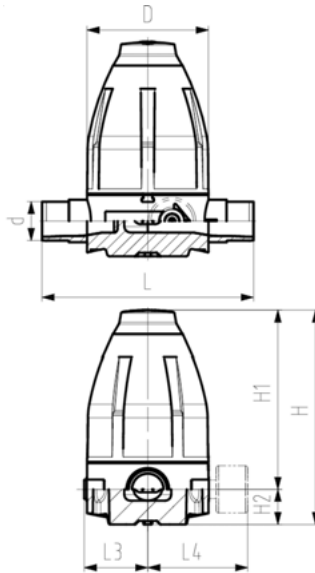


## Pressure reducing valve type 582 PVC-C With solvent cement spigots metric With manometer

### Model:

- Diaphragm PTFE / EPDM
- Integrated stainless steel mounting inserts
- 0.5-9.0 bar (7-130 psi)

0.3-3.0 bar (4-44 psi) on request



d [mm]	DN [mm]	PN [bar]	O-rings EPDM code	O-rings FPM code
16	10	10	163 582 021	163 582 031
20	15	10	163 582 022	163 582 032
25	20	10	163 582 023	163 582 033
32	25	10	163 582 024	163 582 034
40	32	10	163 582 025	163 582 035
50	40	10	163 582 026	163 582 036
63	50	10	163 582 027	163 582 037

d [mm]	D [mm]	H [mm]	H1 [mm]	H2 [mm]	H3 [mm]	L [mm]	L3 [mm]	L4 [mm]	L5 [mm]	M	closest inch [inch]
16	79	132	111	21	12	134	42	77	40	M6	3/8
20	79	132	111	21	12	134	42	77	40	M6	1/2
25	100	177	148	29	14	174	53	88	46	M6	3/4
32	100	177	148	29	14	174	53	88	46	M6	1
40	147	251	207	44	21	224	76	111	65	M8	1 1/4
50	147	251	207	44	21	224	76	111	65	M8	1 1/2
63	147	251	207	44	21	244	76	111	65	M8	2



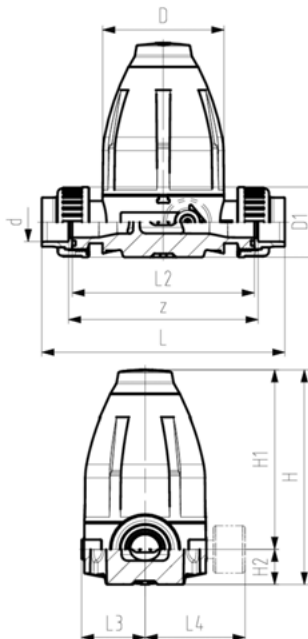
## Pressure reducing valve type 582 PVC-C Unions with solvent cement sockets metric Without manometer

### Model:

- Diaphragm PTFE / EPDM
- Integrated stainless steel mounting inserts
- 0.5-9.0 bar (7-130 psi)

0.3-3.0 bar (4-44 psi) on request

Manometer on request



d [mm]	DN [mm]	PN [bar]	O-rings EPDM code	O-rings FPM code
20	15	10	163 582 102	163 582 112
25	20	10	163 582 103	163 582 113
32	25	10	163 582 104	163 582 114
40	32	10	163 582 105	163 582 115
50	40	10	163 582 106	163 582 116
63	50	10	163 582 107	163 582 117

d [mm]	D [mm]	D1 [mm]	H [mm]	H1 [mm]	H2 [mm]	H3 [mm]	L [mm]	L2 [mm]	L3 [mm]	L5 [mm]	M	z [mm]	closest inch [inch]
20	79	43	132	111	21	12	162	120	42	40	M6	126	1/2
25	100	51	177	148	29	14	198	150	53	46	M6	156	3/4
32	100	58	177	148	29	14	204	150	53	46	M6	156	1
40	147	72	251	207	44	21	267	205	76	65	M8	211	1 1/4
50	147	83	251	207	44	21	273	205	76	65	M8	211	1 1/2
63	147	100	251	207	44	21	287	205	76	65	M8	211	2

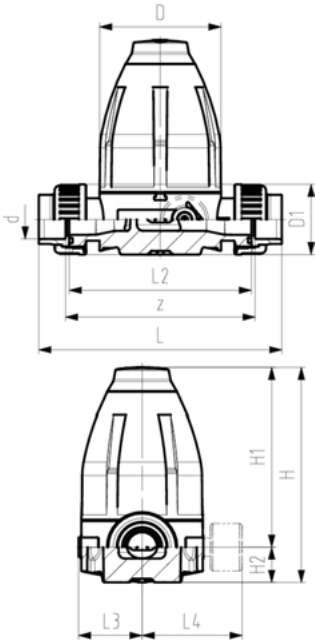


## Pressure reducing valve type 582 PVC-C Unions with solvent cement sockets metric With manometer

### Model:

- Diaphragm PTFE / EPDM
- Integrated stainless steel mounting inserts
- 0.5-9.0 bar (7-130 psi)

0.3-3.0 bar (4-44 psi) on request



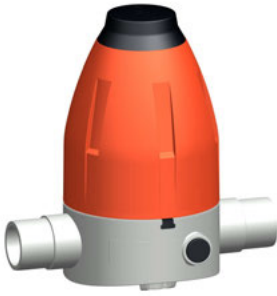
d [mm]	DN [mm]	PN [bar]	O-rings EPDM code	O-rings FPM code
20	15	10	<b>163 582 122</b>	<b>163 582 132</b>
25	20	10	<b>163 582 123</b>	<b>163 582 133</b>
32	25	10	<b>163 582 124</b>	<b>163 582 134</b>
40	32	10	<b>163 582 125</b>	<b>163 582 135</b>
50	40	10	<b>163 582 126</b>	<b>163 582 136</b>
63	50	10	<b>163 582 127</b>	<b>163 582 137</b>

d [mm]	D [mm]	D1 [mm]	H [mm]	H1 [mm]	H2 [mm]	H3 [mm]	L [mm]	L2 [mm]	L3 [mm]	L4 [mm]	L5 [mm]	M	z [mm]
20	79	43	132	111	21	12	162	120	42	77	40	M6	126
25	100	51	177	148	29	14	198	150	53	88	46	M6	156
32	100	58	177	148	29	14	204	150	53	88	46	M6	156
40	147	72	251	207	44	21	267	205	76	111	65	M8	211
50	147	83	251	207	44	21	273	205	76	111	65	M8	211
63	147	100	251	207	44	21	287	205	76	111	65	M8	211

d [mm]	closest inch [inch]
20	½
25	¾
32	1
40	1 ¼
50	1 ½
63	2

# Type 586

## Pressure retaining valve type 586 PVC-C With solvent cement spigots metric Without manometer

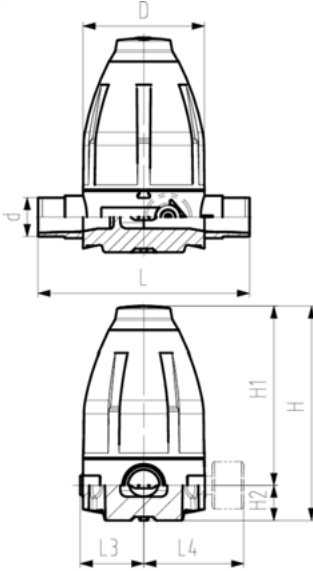


### Model:

- Diaphragm PTFE / EPDM
- Integrated stainless steel mounting inserts
- 0.5-9.0 bar (7-130 psi)

0.3-3.0 bar (4-44 psi) on request

Manometer on request



d [mm]	DN [mm]	PN [bar]	O-rings EPDM code	O-rings FPM code
16	10	10	163 586 001	163 586 011
20	15	10	163 586 002	163 586 012
25	20	10	163 586 003	163 586 013
32	25	10	163 586 004	163 586 014
40	32	10	163 586 005	163 586 015
50	40	10	163 586 006	163 586 016
63	50	10	163 586 007	163 586 017

d [mm]	D [mm]	H [mm]	H1 [mm]	H2 [mm]	H3 [mm]	L [mm]	L3 [mm]	L5 [mm]	M	closest inch [inch]
16	79	132	111	21	12	134	42	40	M6	3/8
20	79	132	111	21	12	134	42	40	M6	1/2
25	100	177	148	29	14	174	53	46	M6	3/4
32	100	177	148	29	14	174	53	46	M6	1
40	147	251	207	44	21	224	76	65	M8	1 1/4
50	147	251	207	44	21	224	76	65	M8	1 1/2
63	147	251	207	44	21	244	76	65	M8	2



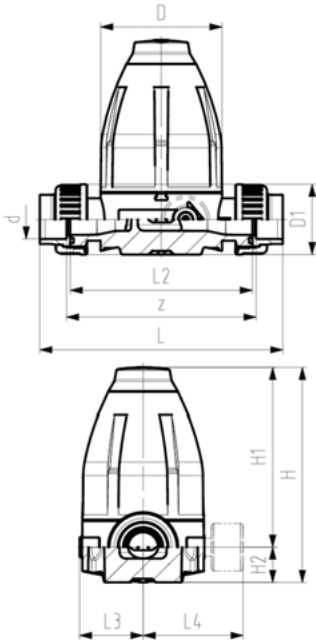
## Pressure retaining valve type 586 PVC-C Unions with solvent cement sockets metric Without manometer

### Model:

- Diaphragm PTFE / EPDM
- Integrated stainless steel mounting inserts
- 0.5-9.0 bar (7-130 psi)

0.3-3.0 bar (4-44 psi) on request

Manometer on request



d [mm]	DN [mm]	PN [bar]	O-rings EPDM code	O-rings FPM code
20	15	10	<b>163 586 102</b>	<b>163 586 112</b>
25	20	10	<b>163 586 103</b>	<b>163 586 113</b>
32	25	10	<b>163 586 104</b>	<b>163 586 114</b>
40	32	10	<b>163 586 105</b>	<b>163 586 115</b>
50	40	10	<b>163 586 106</b>	<b>163 586 116</b>
63	50	10	<b>163 586 107</b>	<b>163 586 117</b>

d [mm]	D [mm]	D1 [mm]	H [mm]	H1 [mm]	H2 [mm]	H3 [mm]	L [mm]	L2 [mm]	L3 [mm]	L5 [mm]	M	z [mm]	closest inch [inch]
20	79	43	132	111	21	12	162	120	42	40	M6	126	½
25	100	51	177	148	29	14	198	150	53	46	M6	156	¾
32	100	58	177	148	29	14	204	150	53	46	M6	156	1
40	147	72	251	207	44	21	267	205	76	65	M8	211	1 ¼
50	147	83	251	207	44	21	273	205	76	65	M8	211	1 ½
63	147	100	251	207	44	21	287	205	76	65	M8	211	2

# PVC-C ASTM/ANSI/BS

## Type 582

### Pressure reducing valve type 582 PVC-C Unions with solvent cement sockets ASTM Without manometer

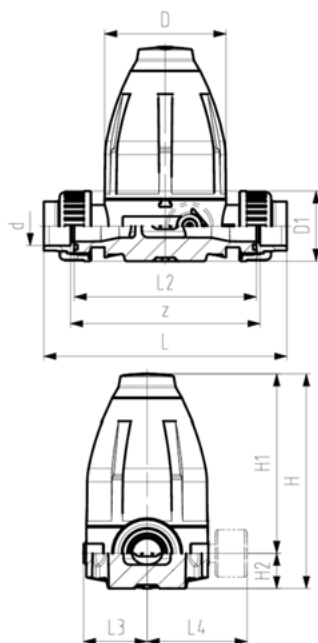


#### Model:

- Diaphragm PTFE / EPDM
- Integrated stainless steel mounting inserts
- 0.5-9.0 bar (7-130 psi)

0.3-3.0 bar (4-44 psi) on request

Manometer on request



Inch [inch]	DN [mm]	PN [bar]	O-rings EPDM code	O-rings FPM code								
1/2	15	10	163 582 202	163 582 212								
3/4	20	10	163 582 203	163 582 213								
1	25	10	163 582 204	163 582 214								
1 1/4	32	10	163 582 205	163 582 215								
1 1/2	40	10	163 582 206	163 582 216								
2	50	10	163 582 207	163 582 217								

Inch [inch]	D [mm]	D1 [mm]	H [mm]	H1 [mm]	H2 [mm]	H3 [mm]	L [mm]	L2 [mm]	L3 [mm]	L5 [mm]	M	z [mm]
1/2	79	43	132	111	21	12	171	120	42	40	M6	126
3/4	100	51	177	148	29	14	207	150	53	46	M6	156
1	100	58	177	148	29	14	214	150	53	46	M6	156
1 1/4	147	72	251	207	44	21	275	205	76	65	M8	211
1 1/2	147	83	251	207	44	21	281	205	76	65	M8	211
2	147	101	251	207	44	21	288	205	76	65	M8	211

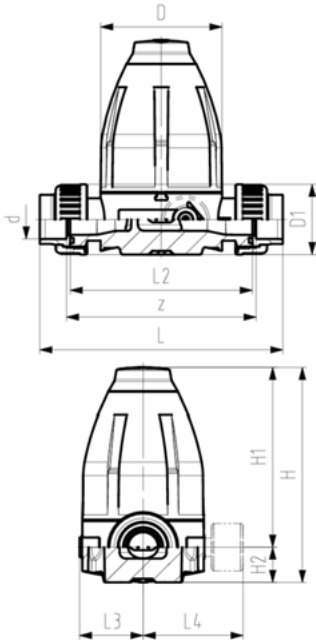


## Pressure reducing valve type 582 PVC-C Unions with solvent cement sockets ASTM With manometer

### Model:

- Diaphragm PTFE / EPDM
- Integrated stainless steel mounting inserts
- 0.5-9.0 bar (7-130 psi)

0.3-3.0 bar (4-44 psi) on request



Inch [inch]	DN [mm]	PN [bar]	O-rings EPDM code	O-rings FPM code
1/2	15	10	163 582 222	163 582 232
3/4	20	10	163 582 223	163 582 233
1	25	10	163 582 224	163 582 234
1 1/4	32	10	163 582 225	163 582 235
1 1/2	40	10	163 582 226	163 582 236
2	50	10	163 582 227	163 582 237

Inch [inch]	D [mm]	D1 [mm]	H [mm]	H1 [mm]	H2 [mm]	H3 [mm]	L [mm]	L2 [mm]	L3 [mm]	L4 [mm]	L5 [mm]	M	z [mm]
1/2	79	43	132	111	21	12	171	120	42	77	40	M6	126
3/4	100	51	177	148	29	14	207	150	53	88	46	M6	156
1	100	58	177	148	29	14	214	150	53	88	46	M6	156
1 1/4	147	72	251	207	44	21	275	205	76	111	65	M8	211
1 1/2	147	83	251	207	44	21	281	205	76	111	65	M8	211
2	147	101	251	207	44	21	288	205	76	111	65	M8	211



# Type 586

## Pressure retaining valve type 586 PVC-C Unions with solvent cement sockets ASTM Without manometer

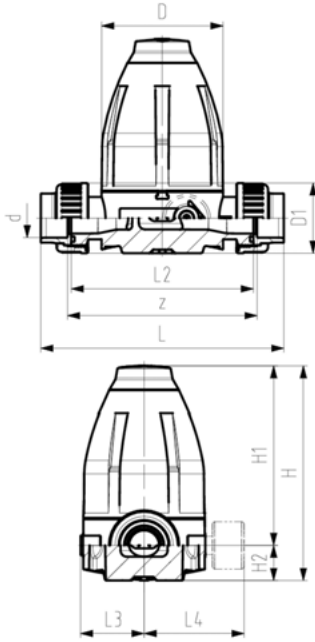


### Model:

- Diaphragm PTFE / EPDM
- Integrated stainless steel mounting inserts
- 0.5-9.0 bar (7-130 psi)

0.3-3.0 bar (4-44 psi) on request

Manometer on request



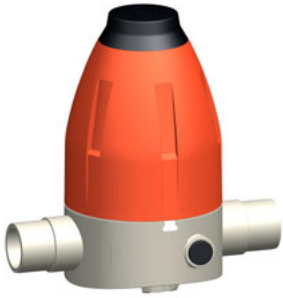
Inch [inch]	DN [mm]	PN [bar]	O-rings EPDM code	O-rings FPM code
1/2	15	10	<b>163 586 202</b>	<b>163 586 212</b>
3/4	20	10	<b>163 586 203</b>	<b>163 586 213</b>
1	25	10	<b>163 586 204</b>	<b>163 586 214</b>
1 1/4	32	10	<b>163 586 205</b>	<b>163 586 215</b>
1 1/2	40	10	<b>163 586 206</b>	<b>163 586 216</b>
2	50	10	<b>163 586 207</b>	<b>163 586 217</b>

Inch [inch]	D [mm]	D1 [mm]	H [mm]	H1 [mm]	H2 [mm]	H3 [mm]	L [mm]	L2 [mm]	L3 [mm]	L5 [mm]	M	z [mm]
1/2	79	43	132	111	21	12	171	120	42	40	M6	126
3/4	100	51	177	148	29	14	207	150	53	46	M6	156
1	100	58	177	148	29	14	214	150	53	46	M6	156
1 1/4	147	72	251	207	44	21	275	205	76	65	M8	211
1 1/2	147	83	251	207	44	21	281	205	76	65	M8	211
2	147	101	251	207	44	21	288	205	76	65	M8	211

# PROGEF Standard metric

## Type 582

### PROGEF Standard Pressure reducing valve type 582 With butt fusion spigots SDR11 metric Without manometer

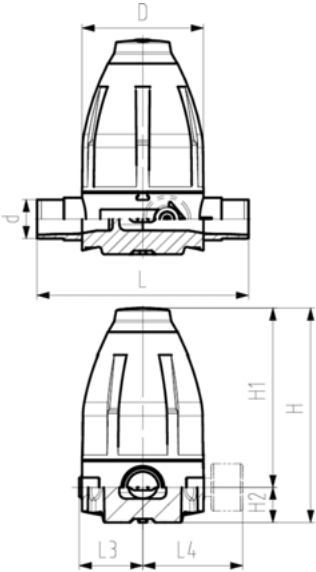


**Model:**

- Diaphragm PTFE / EPDM
- Integrated stainless steel mounting inserts
- 0.5-9.0 bar (7-130 psi)

0.3-3.0 bar (4-44 psi) on request

Manometer on request



d [mm]	DN [mm]	PN [bar]	O-rings EPDM code	O-rings FPM code							
20	15	10	167 582 002	167 582 012							
25	20	10	167 582 003	167 582 013							
32	25	10	167 582 004	167 582 014							
40	32	10	167 582 005	167 582 015							
50	40	10	167 582 006	167 582 016							
63	50	10	167 582 007	167 582 017							

d [mm]	D [mm]	H [mm]	H1 [mm]	H2 [mm]	H3 [mm]	L [mm]	L3 [mm]	L5 [mm]	M	closest inch [inch]	
20	79	132	111	21	14	150	42	40	M6	½	
25	100	177	148	29	14	190	53	46	M6	¾	
32	100	177	148	29	14	190	53	46	M6	1	
40	147	251	207	44	21	240	76	65	M8	1 ¼	
50	147	251	207	44	21	240	76	65	M8	1 ½	
63	147	251	207	44	21	260	76	65	M8	2	



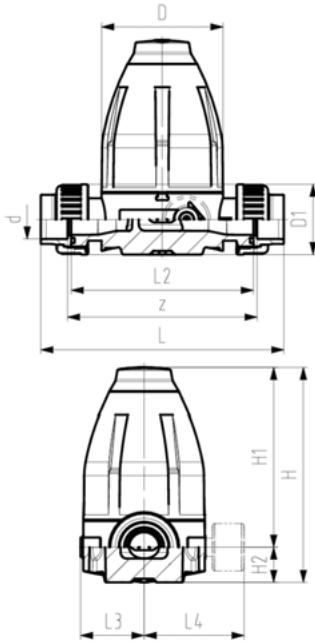
## PROGEF Standard Pressure reducing valve type 582 Unions with fusion sockets metric Without manometer

### Model:

- Diaphragm PTFE / EPDM
- Integrated stainless steel mounting inserts
- 0.5-9.0 bar (7-130 psi)

0.3-3.0 bar (4-44 psi) on request

Manometer on request



d [mm]	DN [mm]	PN [bar]	O-rings EPDM code	O-rings FPM code
20	15	10	<b>167 582 102</b>	<b>167 582 112</b>
25	20	10	<b>167 582 103</b>	<b>167 582 113</b>
32	25	10	<b>167 582 104</b>	<b>167 582 114</b>
40	32	10	<b>167 582 105</b>	<b>167 582 115</b>
50	40	10	<b>167 582 106</b>	<b>167 582 116</b>
63	50	10	<b>167 582 107</b>	<b>167 582 117</b>

d [mm]	D [mm]	D1 [mm]	H [mm]	H1 [mm]	H2 [mm]	H3 [mm]	L [mm]	L2 [mm]	L3 [mm]	L5 [mm]	M	z [mm]	closest inch [inch]
20	79	48	132	111	21	12	158	120	42	40	M6	126	1/2
25	100	58	177	148	29	14	192	150	53	46	M6	156	3/4
32	100	65	177	148	29	14	196	150	53	46	M6	156	1
40	147	77	251	207	44	21	255	205	76	65	M8	211	1 1/4
50	147	84	251	207	44	21	261	205	76	65	M8	211	1 1/2
63	147	111	251	207	44	21	269	205	76	65	M8	211	2



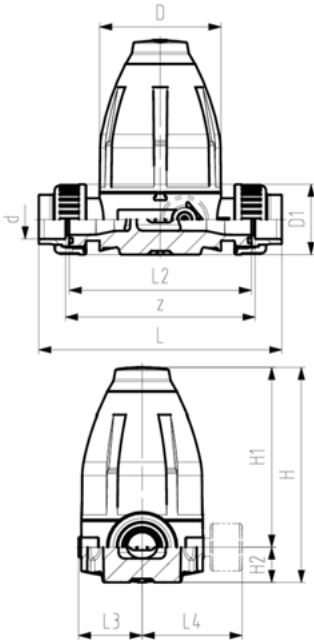
## PROGEF Standard Pressure reducing valve type 582 Unions with butt fusion spigots SDR11 metric Without manometer

### Model:

- Diaphragm PTFE / EPDM
- Integrated stainless steel mounting inserts
- 0.5-9.0 bar (7-130 psi)

0.3-3.0 bar (4-44 psi) on request

Manometer on request

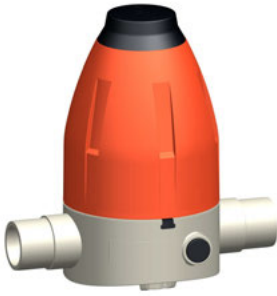


d [mm]	DN [mm]	PN [bar]	O-rings EPDM code	O-rings FPM code
20	15	10	167 582 502	167 582 512
25	20	10	167 582 503	167 582 513
32	25	10	167 582 504	167 582 514
40	32	10	167 582 505	167 582 515
50	40	10	167 582 506	167 582 516
63	50	10	167 582 507	167 582 517

d [mm]	D [mm]	D1 [mm]	H [mm]	H1 [mm]	H2 [mm]	H3 [mm]	L [mm]	L2 [mm]	L3 [mm]	L5 [mm]	M	z [mm]	closest inch [inch]
20	79	48	132	111	21	12	158	120	42	40	M6	126	1/2
25	100	58	177	148	29	14	192	150	53	46	M6	156	3/4
32	100	65	177	148	29	14	196	150	53	46	M6	156	1
40	147	77	251	207	44	21	255	205	76	65	M8	211	1 1/4
50	147	84	251	207	44	21	261	205	76	65	M8	211	1 1/2
63	147	111	251	207	44	21	269	205	76	65	M8	211	2

# Type 586

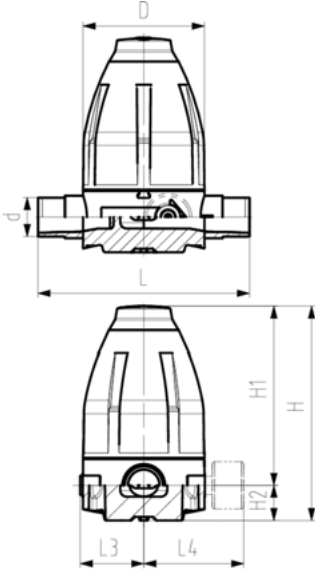
## PROGEF Standard Pressure retaining valve type 586 With butt fusion spigots SDR11 metric Without manometer



### Model:

- Diaphragm PTFE / EPDM
- Integrated stainless steel mounting inserts
- 0.5-9.0 bar (7-130 psi)

0.3-3.0 bar (4-44 psi) on request  
Manometer on request



d [mm]	DN [mm]	PN [bar]	O-rings EPDM code	O-rings FPM code
20	15	10	167 586 002	167 586 012
25	20	10	167 586 003	167 586 013
32	25	10	167 586 004	167 586 014
40	32	10	167 586 005	167 586 015
50	40	10	167 586 006	167 586 016
63	50	10	167 586 007	167 586 017

d [mm]	D [mm]	H [mm]	H1 [mm]	H2 [mm]	H3 [mm]	L [mm]	L3 [mm]	L5 [mm]	M	closest inch [inch]
20	79	132	111	21	14	150	42	40	M6	½
25	100	177	148	29	14	190	53	46	M6	¾
32	100	177	148	29	14	190	53	46	M6	1
40	147	251	207	44	21	240	76	65	M8	1 ¼
50	147	251	207	44	21	240	76	65	M8	1 ½
63	147	251	207	44	21	260	76	65	M8	2



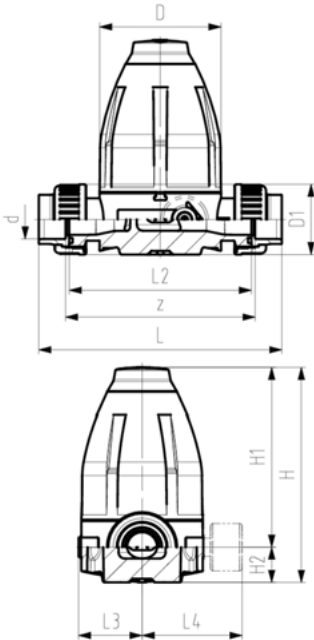
## PROGEF Standard Pressure retaining valve type 586 Unions with fusion sockets metric Without manometer

### Model:

- Diaphragm PTFE / EPDM
- Integrated stainless steel mounting inserts
- 0.5-9.0 bar (7-130 psi)

0.3-3.0 bar (4-44 psi) on request

Manometer on request



d [mm]	DN [mm]	PN [bar]	O-rings EPDM code	O-rings FPM code
20	15	10	<b>167 586 102</b>	<b>167 586 112</b>
25	20	10	<b>167 586 103</b>	<b>167 586 113</b>
32	25	10	<b>167 586 104</b>	<b>167 586 114</b>
40	32	10	<b>167 586 105</b>	<b>167 586 115</b>
50	40	10	<b>167 586 106</b>	<b>167 586 116</b>
63	50	10	<b>167 586 107</b>	<b>167 586 117</b>

d [mm]	D [mm]	D1 [mm]	H [mm]	H1 [mm]	H2 [mm]	H3 [mm]	L [mm]	L2 [mm]	L3 [mm]	L5 [mm]	M	z [mm]	closest inch [inch]
20	79	48	132	111	21	12	158	120	42	40	M6	126	1/2
25	100	58	177	148	29	14	192	150	53	46	M6	156	3/4
32	100	65	177	148	29	14	196	150	53	46	M6	156	1
40	147	77	251	207	44	21	255	205	76	65	M8	211	1 1/4
50	147	84	251	207	44	21	261	205	76	65	M8	211	1 1/2
63	147	111	251	207	44	21	269	205	76	65	M8	211	2



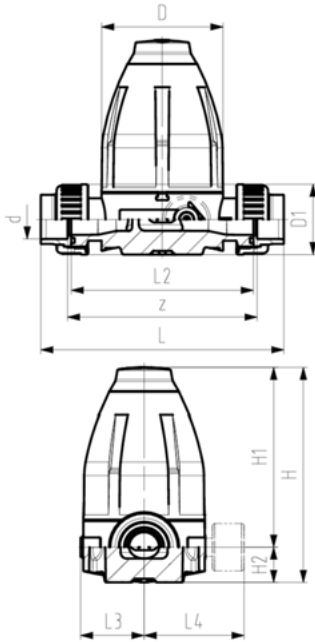
## PROGEF Standard Pressure retaining valve type 586 Unions with butt fusion spigots SDR11 metric Without manometer

### Model:

- Diaphragm PTFE / EPDM
- Integrated stainless steel mounting inserts
- 0.5-9.0 bar (7-130 psi)

0.3-3.0 bar (4-44 psi) on request

Manometer on request



d [mm]	DN [mm]	PN [bar]	O-rings EPDM code	O-rings FPM code
20	15	10	<b>167 586 502</b>	<b>167 586 512</b>
25	20	10	<b>167 586 503</b>	<b>167 586 513</b>
32	25	10	<b>167 586 504</b>	<b>167 586 514</b>
40	32	10	<b>167 586 505</b>	<b>167 586 515</b>
50	40	10	<b>167 586 506</b>	<b>167 586 516</b>
63	50	10	<b>167 586 507</b>	<b>167 586 517</b>

d [mm]	D [mm]	D1 [mm]	H [mm]	H1 [mm]	H2 [mm]	H3 [mm]	L [mm]	L2 [mm]	L3 [mm]	L5 [mm]	M	z [mm]	closest inch [inch]
20	79	48	132	111	21	12	228	120	42	40	M6	126	1/2
25	100	58	177	148	29	14	264	150	53	46	M6	156	3/4
32	100	65	177	148	29	14	270	150	53	46	M6	156	1
40	147	77	251	207	44	21	331	205	76	65	M8	211	1 1/4
50	147	84	251	207	44	21	337	205	76	65	M8	211	1 1/2
63	147	111	251	207	44	21	343	205	76	65	M8	211	2

# SYGEF Standard metric/ASTM/ANSI

## Type 582

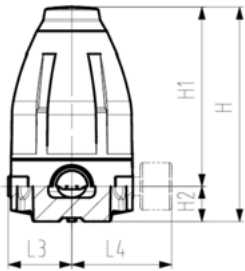
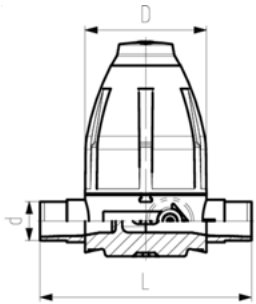
### SYGEF Standard Pressure reducing valve type 582 With butt fusion spigots SDR11 metric Without manometer



**Model:**

- Diaphragm PTFE / EPDM
- Integrated stainless steel mounting inserts
- 0.5-9.0 bar (7-130 psi)

0.3-3.0 bar (4-44 psi) on request  
Manometer on request



d [mm]	DN [mm]	PN [bar]	O-rings FPM code
20	15	10	<b>185 582 012</b>
25	20	10	<b>185 582 013</b>
32	25	10	<b>185 582 014</b>
40	32	10	<b>185 582 015</b>
50	40	10	<b>185 582 016</b>
63	50	10	<b>185 582 017</b>

d [mm]	D [mm]	H [mm]	H1 [mm]	H2 [mm]	H3 [mm]	L [mm]	L3 [mm]	L5 [mm]	M	closest inch [inch]
20	79	132	111	21	14	150	42	40	M6	½
25	100	177	148	29	14	190	53	46	M6	¾
32	100	177	148	29	14	190	53	46	M6	1
40	147	251	207	44	21	240	76	65	M8	1 ¼
50	147	251	207	44	21	240	76	65	M8	1 ½
63	147	251	207	44	21	260	76	65	M8	2





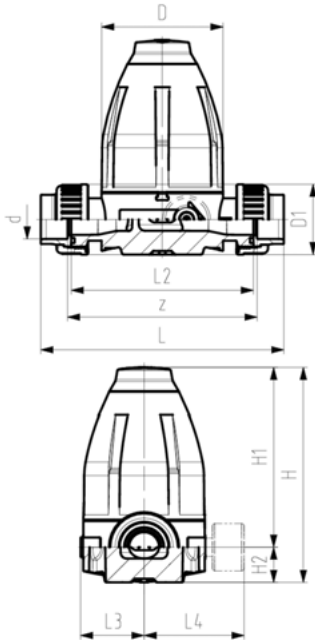
## SYGEF Standard Pressure reducing valve type 582 With fusion sockets metric Without manometer

### Model:

- Diaphragm PTFE / EPDM
- Integrated stainless steel mounting inserts
- 0.5-9.0 bar (7-130 psi)

0.3-3.0 bar (4-44 psi) on request

Manometer on request



d [mm]	DN [mm]	PN [bar]	O-rings FPM code
20	15	10	<b>185 582 112</b>
25	20	10	<b>185 582 113</b>
32	25	10	<b>185 582 114</b>
40	32	10	<b>185 582 115</b>
50	40	10	<b>185 582 116</b>
63	50	10	<b>185 582 117</b>

d [mm]	D [mm]	D1 [mm]	H [mm]	H1 [mm]	H2 [mm]	H3 [mm]	L [mm]	L2 [mm]	L3 [mm]	L5 [mm]	M	z [mm]	closest inch [inch]
20	79	43	132	111	21	12	158	120	42	40	M6	130	1/2
25	100	53	177	148	29	14	192	150	53	46	M6	160	3/4
32	100	60	177	148	29	14	196	150	53	46	M6	160	1
40	147	74	251	207	44	21	255	205	76	65	M8	215	1 1/4
50	147	82	251	207	44	21	261	205	76	65	M8	215	1 1/2
63	147	100	251	207	44	21	269	205	76	65	M8	215	2



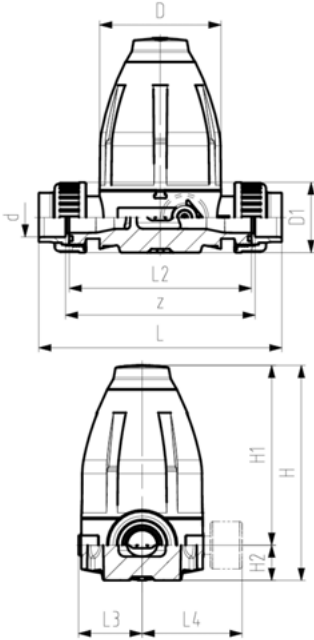
## SYGEF Standard Pressure reducing valve type 582 Unions with butt fusion spigots SDR11 metric Without manometer

### Model:

- Diaphragm PTFE / EPDM
- Integrated stainless steel mounting inserts
- 0.5-9.0 bar (7-130 psi)

0.3-3.0 bar (4-44 psi) on request

Manometer on request

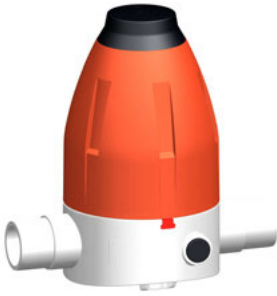


d [mm]	DN [mm]	PN [bar]	O-rings FPM code
20	15	10	<b>185 582 512</b>
25	20	10	<b>185 582 513</b>
32	25	10	<b>185 582 514</b>
40	32	10	<b>185 582 515</b>
50	40	10	<b>185 582 516</b>
63	50	10	<b>185 582 517</b>

d [mm]	D [mm]	D1 [mm]	H [mm]	H1 [mm]	H2 [mm]	H3 [mm]	L [mm]	L2 [mm]	L3 [mm]	L5 [mm]	M	closest inch [inch]
20	79	43	132	111	21	12	226	120	42	40	M6	½
25	100	53	177	148	29	14	262	150	53	46	M6	¾
32	100	60	177	148	29	14	268	150	53	46	M6	1
40	147	74	251	207	44	21	329	205	76	65	M8	1 ¼
50	147	82	251	207	44	21	335	205	76	65	M8	1 ½
63	147	100	251	207	44	21	341	205	76	65	M8	2

# Type 586

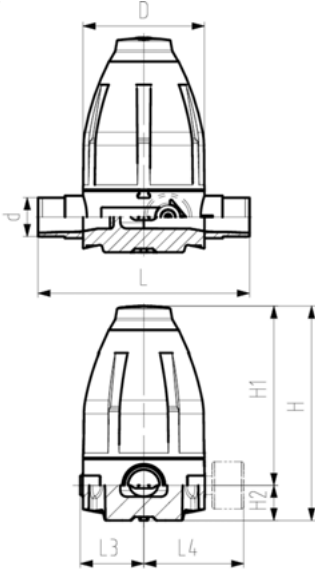
## SYGEF Standard Pressure retaining valve type 586 With butt fusion spigots SDR11 metric Without manometer



### Model:

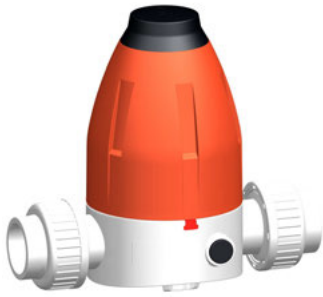
- Diaphragm PTFE / EPDM
- Integrated stainless steel mounting inserts
- 0.5-9.0 bar (7-130 psi)

0.3-3.0 bar (4-44 psi) on request  
Manometer on request



d [mm]	DN [mm]	PN [bar]	O-rings FPM code
20	15	10	<b>185 586 012</b>
25	20	10	<b>185 586 013</b>
32	25	10	<b>185 586 014</b>
40	32	10	<b>185 586 015</b>
50	40	10	<b>185 586 016</b>
63	50	10	<b>185 586 017</b>

d [mm]	D [mm]	H [mm]	H1 [mm]	H2 [mm]	H3 [mm]	L [mm]	L3 [mm]	L5 [mm]	M	closest inch [inch]
20	79	132	111	21	14	150	42	40	M6	1/2
25	100	177	148	29	14	190	53	46	M6	3/4
32	100	177	148	29	14	190	53	46	M6	1
40	147	251	207	44	21	240	76	65	M8	1 1/4
50	147	251	207	44	21	240	76	65	M8	1 1/2
63	147	251	207	44	21	260	76	65	M8	2



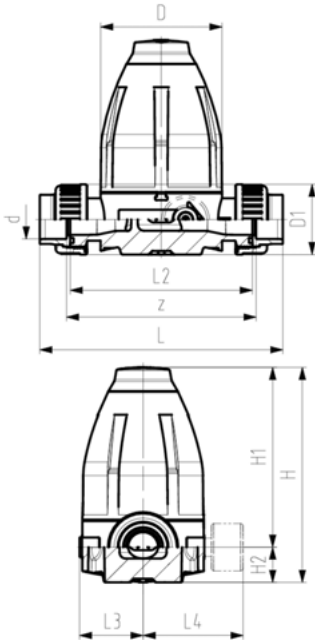
## SYGEF Standard Pressure retaining valve type 586 Unions with fusion sockets metric Without manometer

### Model:

- Diaphragm PTFE / EPDM
- Integrated stainless steel mounting inserts
- 0.5-9.0 bar (7-130 psi)

0.3-3.0 bar (4-44 psi) on request

Manometer on request



d [mm]	DN [mm]	PN [bar]	O-rings FPM code
20	15	10	<b>185 586 112</b>
25	20	10	<b>185 586 113</b>
32	25	10	<b>185 586 114</b>
40	32	10	<b>185 586 115</b>
50	40	10	<b>185 586 116</b>
63	50	10	<b>185 586 117</b>

d [mm]	D [mm]	H [mm]	H1 [mm]	H2 [mm]	H3 [mm]	L [mm]	L2 [mm]	L3 [mm]	L5 [mm]	M	z [mm]	closest inch [inch]
20	79	132	111	21	12	158	120	42	40	M6	130	1/2
25	100	177	148	29	14	192	150	53	46	M6	160	3/4
32	100	177	148	29	14	196	150	53	46	M6	160	1
40	147	251	207	44	21	255	205	76	65	M8	215	1 1/4
50	147	251	207	44	21	261	205	76	65	M8	215	1 1/2
63	147	251	207	44	21	269	205	76	65	M8	215	2



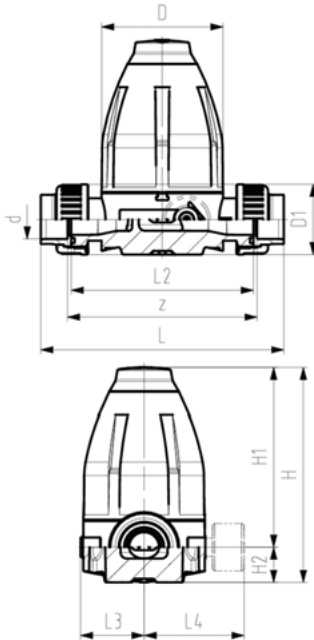
## SYGEF Standard Pressure retaining valve type 586 Unions with butt fusion spigots SDR11 metric Without manometer

### Model:

- Diaphragm PTFE / EPDM
- Integrated stainless steel mounting inserts
- 0.5-9.0 bar (7-130 psi)

0.3-3.0 bar (4-44 psi) on request

Manometer on request



d [mm]	DN [mm]	PN [bar]	O-rings FPM code
20	15	10	<b>185 586 512</b>
25	20	10	<b>185 586 513</b>
32	25	10	<b>185 586 514</b>
40	32	10	<b>185 586 515</b>
50	40	10	<b>185 586 516</b>
63	50	10	<b>185 586 517</b>

d [mm]	D [mm]	D1 [mm]	H [mm]	H1 [mm]	H2 [mm]	H3 [mm]	L [mm]	L2 [mm]	L3 [mm]	L5 [mm]	M	z [mm]	closest inch [inch]
20	79	43	132	111	21	12	226	120	42	40	M6	130	1/2
25	100	53	177	148	29	14	262	150	53	46	M6	160	3/4
32	100	60	177	148	29	14	268	150	53	456	M6	160	1
40	147	74	251	207	44	21	329	205	76	65	M8	215	1 1/4
50	147	82	251	207	44	21	335	205	76	65	M8	215	1 1/2
63	147	100	251	207	44	21	341	205	76	65	M8	215	2

# SYGEF Plus metric/ASTM/ANSI

## Type 582

**SYGEF Plus**  
**Pressure reducing valve type 582**  
**With butt fusion spigots SDR11 metric**  
**Without manometer**

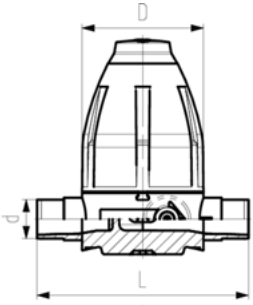


**Model:**

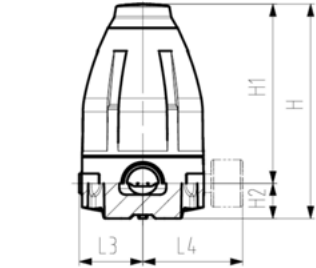
- Diaphragm PTFE / EPDM
- Integrated stainless steel mounting inserts
- 0.5-9.0 bar (7-130 psi)

0.3-3.0 bar (4-44 psi) on request

Manometer on request



d [mm]	DN [mm]	PN [bar]	O-rings FPM code
20	15	10	<b>180 582 012</b>
25	20	10	<b>180 582 013</b>
32	25	10	<b>180 582 014</b>
40	32	10	<b>180 582 015</b>
50	40	10	<b>180 582 016</b>
63	50	10	<b>180 582 017</b>



d [mm]	D [mm]	H [mm]	H1 [mm]	H2 [mm]	H3 [mm]	L [mm]	L3 [mm]	L5 [mm]	M	closest inch [inch]
20	79	132	111	21	14	150	42	40	M6	1/2
25	100	177	148	29	14	190	53	46	M6	3/4
32	100	177	148	29	14	190	53	46	M6	1
40	147	251	207	44	21	240	76	65	M8	1 1/4
50	147	251	207	44	21	240	76	65	M8	1 1/2
63	147	251	207	44	21	260	76	65	M8	2



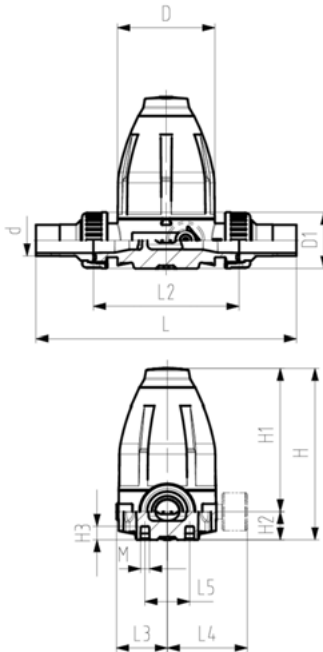
## SYGEF Plus Pressure reducing valve type 582 Unions with butt fusion spigots SDR11 metric Without manometer

### Model:

- Diaphragm PTFE / EPDM
- Integrated stainless steel mounting inserts
- 0.5-9.0 bar (7-130 psi)

0.3-3.0 bar (4-44 psi) on request

Manometer on request



d [mm]	DN [mm]	PN [bar]	O-rings FPM code
20	15	10	<b>180 582 512</b>
25	20	10	<b>180 582 513</b>
32	25	10	<b>180 582 514</b>
40	32	10	<b>180 582 515</b>
50	40	10	<b>180 582 516</b>
63	50	10	<b>180 582 517</b>

d [mm]	D [mm]	H [mm]	H1 [mm]	H2 [mm]	H3 [mm]	L [mm]	L2 [mm]	L3 [mm]	L5 [mm]	M	closest inch [inch]
20	79	132	111	21	12	226	120	42	40	M6	½
25	100	177	148	29	14	262	150	53	46	M6	¾
32	100	177	148	29	14	268	150	53	46	M6	1
40	147	251	207	44	21	329	205	76	65	M8	1 ¼
50	147	251	207	44	21	335	205	76	65	M8	1 ½
63	147	251	207	44	21	341	205	76	65	M8	2

# Index

Code	Page	Code	Page	Code	Page
161 582 001	4	161 582 222	13	161 586 012	7
161 582 002	4	161 582 223	13	161 586 013	7
161 582 003	4	161 582 224	13	161 586 014	7
161 582 004	4	161 582 225	13	161 586 015	7
161 582 005	4	161 582 226	13	161 586 016	7
161 582 006	4	161 582 227	13	161 586 017	7
161 582 007	4	161 582 232	13	161 586 101	8
161 582 011	4	161 582 233	13	161 586 102	8
161 582 012	4	161 582 234	13	161 586 103	8
161 582 013	4	161 582 235	13	161 586 104	8
161 582 014	4	161 582 236	13	161 586 105	8
161 582 015	4	161 582 237	13	161 586 106	8
161 582 016	4	161 582 302	9	161 586 107	8
161 582 017	4	161 582 303	9	161 586 111	8
161 582 021	5	161 582 304	9	161 586 112	8
161 582 022	5	161 582 305	9	161 586 113	8
161 582 023	5	161 582 306	9	161 586 114	8
161 582 024	5	161 582 307	9	161 586 115	8
161 582 025	5	161 582 312	9	161 586 116	8
161 582 026	5	161 582 313	9	161 586 117	8
161 582 027	5	161 582 314	9	161 586 202	14
161 582 031	5	161 582 315	9	161 586 203	14
161 582 032	5	161 582 316	9	161 586 204	14
161 582 033	5	161 582 317	9	161 586 205	14
161 582 034	5	161 582 322	10	161 586 206	14
161 582 035	5	161 582 323	10	161 586 207	14
161 582 036	5	161 582 324	10	161 586 212	14
161 582 037	5	161 582 325	10	161 586 213	14
161 582 101	5	161 582 326	10	161 586 214	14
161 582 102	5	161 582 327	10	161 586 215	14
161 582 103	5	161 582 332	10	161 586 216	14
161 582 104	5	161 582 333	10	161 586 217	14
161 582 105	5	161 582 334	10	161 586 302	11
161 582 106	5	161 582 335	10	161 586 303	11
161 582 107	5	161 582 336	10	161 586 304	11
161 582 111	5	161 582 337	10	161 586 305	11
161 582 112	5	161 582 402	15	161 586 306	11
161 582 113	5	161 582 403	15	161 586 307	11
161 582 114	5	161 582 404	15	161 586 312	11
161 582 115	5	161 582 405	15	161 586 313	11
161 582 116	5	161 582 406	15	161 586 314	11
161 582 117	5	161 582 407	15	161 586 315	11
161 582 121	6	161 582 412	15	161 586 316	11
161 582 122	6	161 582 413	15	161 586 317	11
161 582 123	6	161 582 414	15	161 586 402	17
161 582 124	6	161 582 415	15	161 586 403	17
161 582 125	6	161 582 416	15	161 586 404	17
161 582 126	6	161 582 417	15	161 586 405	17
161 582 127	6	161 582 422	16	161 586 406	17
161 582 131	6	161 582 423	16	161 586 407	17
161 582 132	6	161 582 424	16	161 586 412	17
161 582 133	6	161 582 425	16	161 586 413	17
161 582 134	6	161 582 426	16	161 586 414	17
161 582 135	6	161 582 427	16	161 586 415	17
161 582 136	6	161 582 432	16	161 586 416	17
161 582 137	6	161 582 433	16	161 586 417	17
161 582 202	12	161 582 434	16	163 582 001	18
161 582 203	12	161 582 435	16	163 582 002	18
161 582 204	12	161 582 436	16	163 582 003	18
161 582 205	12	161 582 437	16	163 582 004	18
161 582 206	12	161 586 001	7	163 582 005	18
161 582 207	12	161 586 002	7	163 582 006	18
161 582 212	12	161 586 003	7	163 582 007	18
161 582 213	12	161 586 004	7	163 582 011	18
161 582 214	12	161 586 005	7	163 582 012	18
161 582 215	12	161 586 006	7	163 582 013	18
161 582 216	12	161 586 007	7	163 582 014	18
161 582 217	12	161 586 011	7	163 582 015	18



# Index

Code	Page	Code	Page	Code	Page
163 582 016	18	163 586 005	21	167 582 516	28
163 582 017	18	163 586 006	21	167 582 517	28
163 582 021	19	163 586 007	21	167 586 002	29
163 582 022	19	163 586 011	21	167 586 003	29
163 582 023	19	163 586 012	21	167 586 004	29
163 582 024	19	163 586 013	21	167 586 005	29
163 582 025	19	163 586 014	21	167 586 006	29
163 582 026	19	163 586 015	21	167 586 007	29
163 582 027	19	163 586 016	21	167 586 012	29
163 582 031	19	163 586 017	21	167 586 013	29
163 582 032	19	163 586 102	22	167 586 014	29
163 582 033	19	163 586 103	22	167 586 015	29
163 582 034	19	163 586 104	22	167 586 016	29
163 582 035	19	163 586 105	22	167 586 017	29
163 582 036	19	163 586 106	22	167 586 102	30
163 582 037	19	163 586 107	22	167 586 103	30
163 582 102	19	163 586 112	22	167 586 104	30
163 582 103	19	163 586 113	22	167 586 105	30
163 582 104	19	163 586 114	22	167 586 106	30
163 582 105	19	163 586 115	22	167 586 107	30
163 582 106	19	163 586 116	22	167 586 112	30
163 582 107	19	163 586 117	22	167 586 113	30
163 582 112	19	163 586 202	25	167 586 114	30
163 582 113	19	163 586 203	25	167 586 115	30
163 582 114	19	163 586 204	25	167 586 116	30
163 582 115	19	163 586 205	25	167 586 117	30
163 582 116	19	163 586 206	25	167 586 502	31
163 582 117	19	163 586 207	25	167 586 503	31
163 582 122	20	163 586 212	25	167 586 504	31
163 582 123	20	163 586 213	25	167 586 505	31
163 582 124	20	163 586 214	25	167 586 506	31
163 582 125	20	163 586 215	25	167 586 507	31
163 582 126	20	163 586 216	25	167 586 512	31
163 582 127	20	163 586 217	25	167 586 513	31
163 582 132	20	167 582 002	26	167 586 514	31
163 582 133	20	167 582 003	26	167 586 515	31
163 582 134	20	167 582 004	26	167 586 516	31
163 582 135	20	167 582 005	26	167 586 517	31
163 582 136	20	167 582 006	26	180 582 012	38
163 582 137	20	167 582 007	26	180 582 013	38
163 582 202	23	167 582 012	26	180 582 014	38
163 582 203	23	167 582 013	26	180 582 015	38
163 582 204	23	167 582 014	26	180 582 016	38
163 582 205	23	167 582 015	26	180 582 017	38
163 582 206	23	167 582 016	26	180 582 512	39
163 582 207	23	167 582 017	26	180 582 513	39
163 582 212	23	167 582 102	27	180 582 514	39
163 582 213	23	167 582 103	27	180 582 515	39
163 582 214	23	167 582 104	27	180 582 516	39
163 582 215	23	167 582 105	27	180 582 517	39
163 582 216	23	167 582 106	27	185 582 012	32
163 582 217	23	167 582 107	27	185 582 013	32
163 582 222	24	167 582 112	27	185 582 014	32
163 582 223	24	167 582 113	27	185 582 015	32
163 582 224	24	167 582 114	27	185 582 016	32
163 582 225	24	167 582 115	27	185 582 017	32
163 582 226	24	167 582 116	27	185 582 112	33
163 582 227	24	167 582 117	27	185 582 113	33
163 582 232	24	167 582 502	28	185 582 114	33
163 582 233	24	167 582 503	28	185 582 115	33
163 582 234	24	167 582 504	28	185 582 116	33
163 582 235	24	167 582 505	28	185 582 117	33
163 582 236	24	167 582 506	28	185 582 512	34
163 582 237	24	167 582 507	28	185 582 513	34
163 586 001	21	167 582 512	28	185 582 514	34
163 586 002	21	167 582 513	28	185 582 515	34
163 586 003	21	167 582 514	28	185 582 516	34
163 586 004	21	167 582 515	28	185 582 517	34

# Index

Code	Page
185 586 012	35
185 586 013	35
185 586 014	35
185 586 015	35
185 586 016	35
185 586 017	35
185 586 112	36
185 586 113	36
185 586 114	36
185 586 115	36
185 586 116	36
185 586 117	36
185 586 512	37
185 586 513	37
185 586 514	37
185 586 515	37
185 586 516	37
185 586 517	37



# Worldwide at home

Our sales companies and representatives ensure local customer support in over 100 countries

[www.gfps.com](http://www.gfps.com)

## Argentina/Southern South America

Georg Fischer Central Plastics  
Sudamérica S.R.L.  
Buenos Aires, Argentina  
Phone +54 11 4512 02 90  
gfccentral.ps.ar@georgfischer.com  
[www.gfps.com/ar](http://www.gfps.com/ar)

## Australia

George Fischer Pty Ltd  
Riverwood NSW 2210 Australia  
Phone +61 (0) 2 9502 8000  
australia.ps@georgfischer.com  
[www.gfps.com/au](http://www.gfps.com/au)

## Austria

Georg Fischer  
Rohrleitungssysteme GmbH  
3130 Herzogenburg  
Phone +43 (0) 2782 856 43-0  
austria.ps@georgfischer.com  
[www.gfps.com/at](http://www.gfps.com/at)

## Belgium/Luxembourg

Georg Fischer NV/SA  
1070 Bruxelles/Brüssel  
Phone +32 (0) 2 556 40 20  
be.ps@georgfischer.com  
[www.gfps.com/be](http://www.gfps.com/be)

## Brazil

Georg Fischer Sist. de Tub. Ltda.  
04795-100 São Paulo  
Phone +55 (0) 11 5525 1311  
br.ps@georgfischer.com  
[www.gfps.com/br](http://www.gfps.com/br)

## Canada

Georg Fischer Piping Systems Ltd  
Mississauga, ON L5T 2B2  
Phone +1 (905) 670 8005  
Fax +1 (905) 670 8513  
ca.ps@georgfischer.com  
[www.gfps.com/ca](http://www.gfps.com/ca)

## China

Georg Fischer Piping Systems Ltd  
Shanghai 201319  
Phone +86 21 3899 3899  
china.ps@georgfischer.com  
[www.gfps.com/cn](http://www.gfps.com/cn)

## Denmark/Iceland

Georg Fischer A/S  
2630 Taastrup  
Phone +45 (0) 70 22 19 75  
info.dk.ps@georgfischer.com  
[www.gfps.com/dk](http://www.gfps.com/dk)

## Finland

Georg Fischer AB  
01510 VANTAA  
Phone +358 (0) 9 586 58 25  
Fax +358 (0) 9 586 58 29  
info.fi.ps@georgfischer.com  
[www.gfps.com/fi](http://www.gfps.com/fi)

## France

Georg Fischer SAS  
95932 Roissy Charles de Gaulle Cedex  
Phone +33 (0) 1 41 84 68 84  
fr.ps@georgfischer.com  
[www.gfps.com/fr](http://www.gfps.com/fr)

## Germany

Georg Fischer GmbH  
73095 Albershausen  
Phone +49 (0) 7161 302-0  
info.de.ps@georgfischer.com  
[www.gfps.com/de](http://www.gfps.com/de)

## India

Georg Fischer Piping Systems Ltd  
400 076 Mumbai  
Phone +91 224007 2001  
branchoffice@georgfischer.com  
[www.gfps.com/in](http://www.gfps.com/in)

## Indonesia

George Fischer Pte Ltd –  
Representative Office  
Phone +62 21 2900 8564  
Fax +62 21 2900 8566  
sgp.ps@georgfischer.com  
[www.gfps.com/sg](http://www.gfps.com/sg)

## Italy

Georg Fischer S.p.A.  
20063 Cernusco S/N (MI)  
Phone +39 02 921 861  
it.ps@georgfischer.com  
[www.gfps.com/it](http://www.gfps.com/it)

## Japan

Georg Fischer Ltd  
556-0011 Osaka,  
Phone +81 (0) 6 6635 2691  
jp.ps@georgfischer.com  
[www.gfps.com/jp](http://www.gfps.com/jp)

## Korea

Georg Fischer Piping Systems  
271-3 Seohyeon-dong Bundang-gu  
Seongnam-si, Gyeonggi-do  
Seoul 463-824  
Phone +82 31 8017 1450  
Fax +82 31 8017 1454  
kor.ps@georgfischer.com  
[www.gfps.com/kr](http://www.gfps.com/kr)

## Malaysia

George Fischer (M) Sdn. Bhd.  
40460 Shah Alam, Selangor Darul Ehsan  
Phone +60 (0) 3 5122 5585  
Fax +603 5122 5575  
my.ps@georgfischer.com  
[www.gfps.com/my](http://www.gfps.com/my)

## Mexico/Northern Latin America

Georg Fischer S.A. de C.V.  
Apodaca, Nuevo Leon  
CP66636 Mexico  
Phone +52 (81) 1340 8586  
Fax +52 (81) 1522 8906  
mx.ps@georgfischer.com  
[www.gfps.com/mx](http://www.gfps.com/mx)

## Middle East

Georg Fischer  
Piping Systems (Switzerland) Ltd  
Dubai, United Arab Emirates  
Phone +971 4 289 49 60  
gcc.ps@georgfischer.com  
[www.gfps.com/int](http://www.gfps.com/int)

## Netherlands

Georg Fischer N.V.  
8161 PA Epe  
Phone +31 (0) 578 678 222  
nl.ps@georgfischer.com  
[www.gfps.com/nl](http://www.gfps.com/nl)

## New Zealand

Georg Fischer Ltd  
13 Jupiter Grove, Upper Hutt 5018  
PO Box 40399, Upper Hutt 5140  
Phone +64 (0) 4 527 9813  
nz.ps@georgfischer.com  
[www.gfps.com/nz](http://www.gfps.com/nz)

## Norway

Georg Fischer AS  
1351 Rud  
Phone +47 67 18 29 00  
no.ps@georgfischer.com  
[www.gfps.com/no](http://www.gfps.com/no)

## Philippines

Georg Fischer Pte Ltd  
Representative Office  
Phone +632 571 2365  
Fax +632 571 2368  
sgp.ps@georgfischer.com  
[www.gfps.com/sg](http://www.gfps.com/sg)

## Poland

Georg Fischer Sp. z o.o.  
05-090 Sekocin Nowy  
Phone +48 (0) 22 31 31 0 50  
poland.ps@georgfischer.com  
[www.gfps.com/pl](http://www.gfps.com/pl)

## Romania

Georg Fischer  
Piping Systems (Switzerland) Ltd  
020257 Bucharest - Sector 2  
Phone +40 (0) 21 230 53 80  
ro.ps@georgfischer.com  
[www.gfps.com/int](http://www.gfps.com/int)

## Russia

Georg Fischer  
Piping Systems (Switzerland) Ltd  
Moscow 125047  
Phone +7 495 258 60 80  
ru.ps@georgfischer.com  
[www.gfps.com/ru](http://www.gfps.com/ru)

## Singapore

George Fischer Pte Ltd  
11 Tampines Street 92, #04-01/07  
528 872 Singapore  
Phone +65 6747 0611  
Fax +65 6747 0577  
sgp.ps@georgfischer.com  
[www.gfps.com/sg](http://www.gfps.com/sg)

## Spain/Portugal

Georg Fischer S.A.  
28046 Madrid  
Phone +34 (0) 91 781 98 90  
es.ps@georgfischer.com  
[www.gfps.com/es](http://www.gfps.com/es)

## Sweden

Georg Fischer AB  
117 43 Stockholm  
Phone +46 (0) 8 506 775 00  
info.se.ps@georgfischer.com  
[www.gfps.com/se](http://www.gfps.com/se)

## Switzerland

Georg Fischer  
Rohrleitungssysteme (Schweiz) AG  
8201 Schaffhausen  
Phone +41 (0) 52 631 30 26  
ch.ps@georgfischer.com  
[www.gfps.com/ch](http://www.gfps.com/ch)

## Taiwan

Georg Fischer Co., Ltd  
San Chung Dist., New Taipei City  
Phone +886 2 8512 2822  
Fax +886 2 8512 2823  
[www.gfps.com/tw](http://www.gfps.com/tw)

## United Kingdom/Ireland

Georg Fischer Sales Limited  
Coventry, CV2 2ST  
Phone +44 (0) 2476 535 535  
uk.ps@georgfischer.com  
[www.gfps.com/uk](http://www.gfps.com/uk)

## USA/Caribbean

Georg Fischer LLC  
Tustin, CA 92780-7258  
Phone +1 (714) 731 88 00  
Toll Free 800 854 40 90  
us.ps@georgfischer.com  
[www.gfpiping.com](http://www.gfpiping.com)

## Vietnam

Georg Fischer Pte Ltd  
Representative Office  
136E Tran Vu, Ba Dinh District, Hanoi  
Phone +84 4 3715 3290  
Fax +84 4 3715 3285  
sgp.ps@georgfischer.com  
[www.gfps.com/sg](http://www.gfps.com/sg)

## International

Georg Fischer  
Piping Systems (Switzerland) Ltd  
8201 Schaffhausen/Switzerland  
Phone +41 (0) 52 631 30 03  
Fax +41 (0) 52 631 28 93  
info.export@georgfischer.com  
[www.gfps.com/int](http://www.gfps.com/int)

The technical data are not binding. They neither constitute expressly warranted characteristics nor guaranteed properties nor a guaranteed durability. They are subject to modification. Our General Terms of Sale apply.

